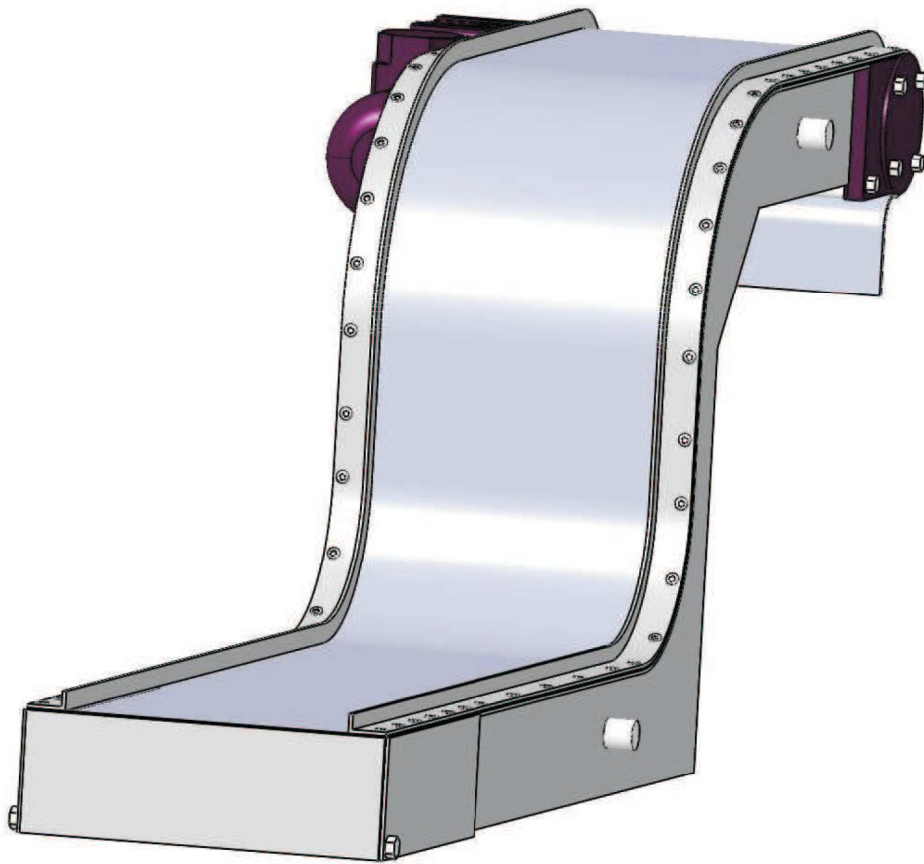
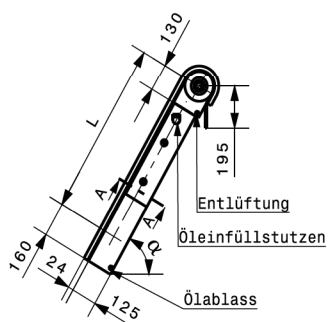


Permanent Magnetic Slide Conveyor

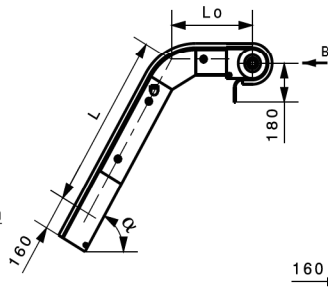


hieke
MMAGNETTECHNIK

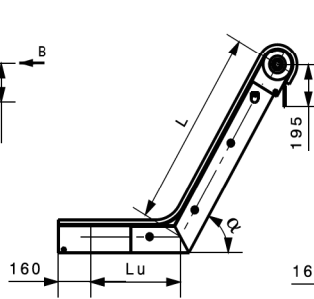
Permanent Magnetic Slide Conveyor Type 125



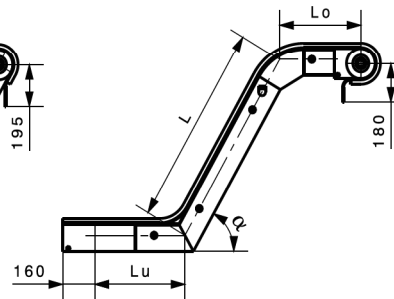
Type 125.1



Type 125.2



Type 125.3



Type 125.4

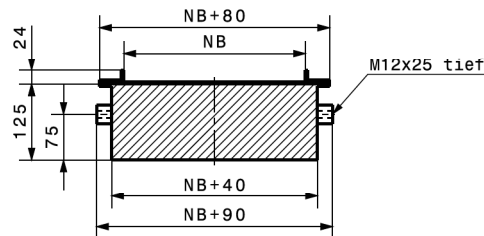
standard width	NB	150	200	300	400	500	600
-----------------------	-----------	------------	------------	------------	------------	------------	------------

minimum length: $L = 415 \text{ mm}$
 $Lu = 430 \text{ mm}$
 $Lo = 340 \text{ mm}$
 length steps: 100 mm

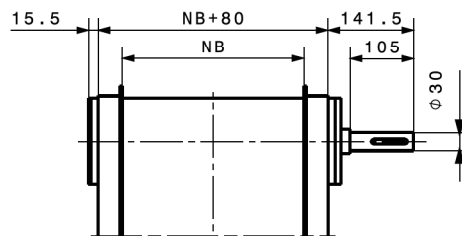
conveyor angle: $\alpha = 0^\circ$ (only with type 125.1)
 $15^\circ, 30^\circ, 45^\circ, 60^\circ, 75^\circ, 90^\circ$

design of slide plate: smooth surface
 structured surface
 basin type, smooth or structured

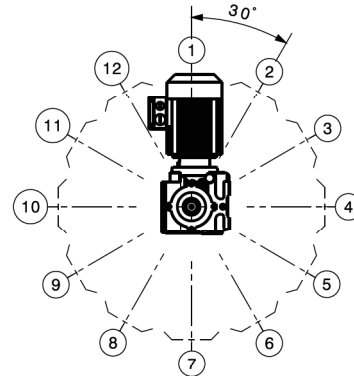
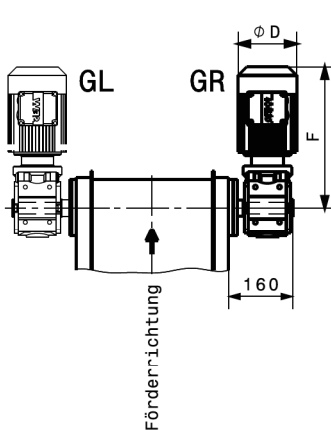
sectional view A-A



view B



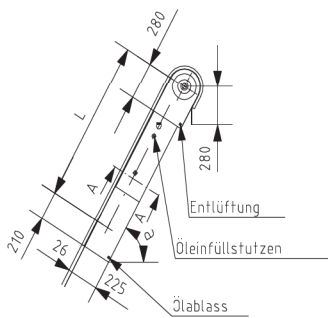
SEW - gear motor			
P	n_a	ϕD	F
0,25 kW	10 min^{-1}	132 mm	287 mm
0,37 kW	20 min^{-1}	139 mm	299 mm
0,75 kW	43 min^{-1}	156 mm	333 mm
multi-range voltage 220 - 240 / 380 - 420 V, 50/60 Hz			



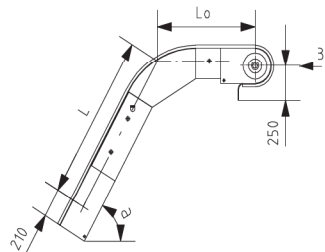
HIEKE MAGNETTECHNIK GMBH
 Aspastrasse 33 D- 59394 Nordkirchen Germany
 Tel. +49 (2596) 920-50 Fax +49 (2596) 920-99
 info@hieke-magnettechnik.de www.hieke-magnettechnik.de



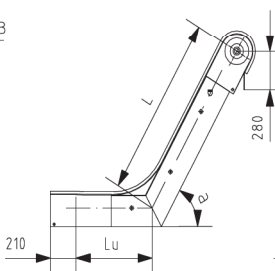
Permanent Magnetic Slide Conveyor Type 225



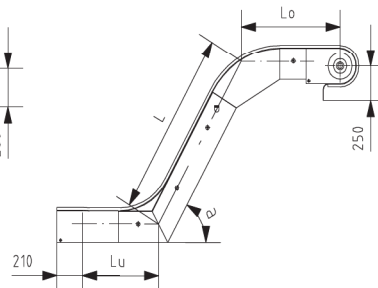
Type 225.1



Type 225.2



Type 225.3



Type 225.4

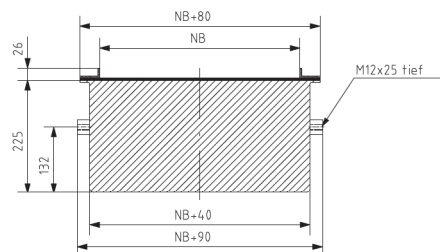
standard width	NB	150	200	300	400	500	600	700	800
-----------------------	-----------	------------	------------	------------	------------	------------	------------	------------	------------

minimum length:
 $L = 770 \text{ mm}$
 $Lu = 1090 \text{ mm}$
 $Lo = 820 \text{ mm}$
 length steps: 100 mm

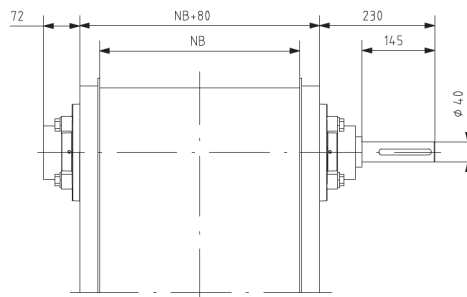
conveyor angle:
 $\alpha = 0^\circ$ (only with type 225.1)
 $15^\circ, 30^\circ, 45^\circ, 60^\circ, 75^\circ, 90^\circ$

desing of slide plate: smooth surface
 structured surface
 basin type, smooth or structured

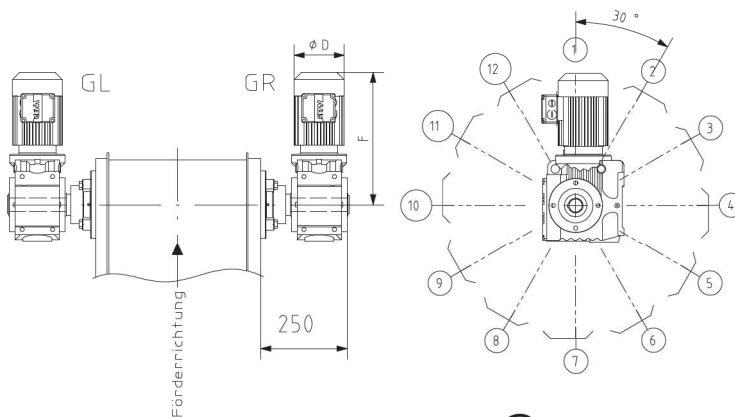
sectional view A-A



view B



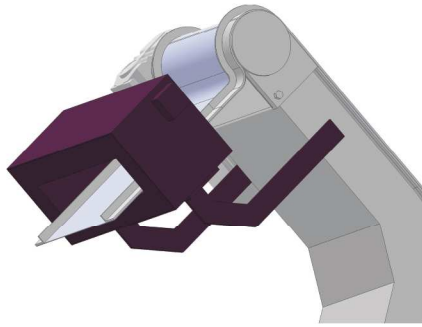
SEW - gear motor			
P	n_a	ϕD	F
1,1 kW	30 min^{-1}	156 mm	396 mm
1,5 kW	30 min^{-1}	179 mm	398 mm
2,2 kW	30 min^{-1}	179 mm	413 mm
multi-range voltage			
220 - 240 / 380 - 420 V, 50/60 Hz			



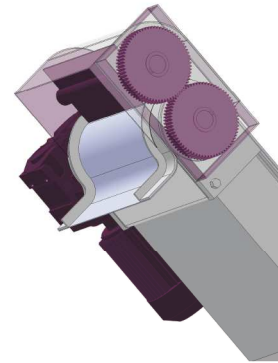
HIEKE MAGNETTECHNIK GMBH
 Aspastrasse 33 D- 59394 Nordkirchen Germany
 Tel. +49 (2596) 920-50 Fax +49 (2596) 920-99
 info@hieke-magnettechnik.de www.hieke-magnettechnik.de



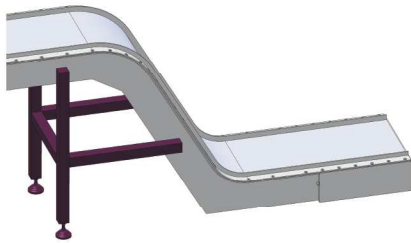
Permanent Magnetic Slide Conveyor Accessories



p.m. slide conveyor with degaussing coil



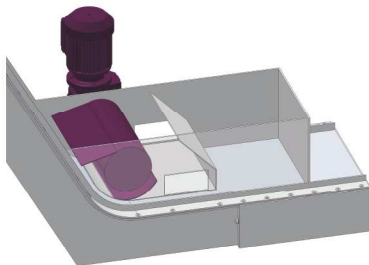
p.m. slide conveyor with rotary-driven stripping-off unit



p.m. slide conveyor with support



p.m. slide conveyor with undercarriage

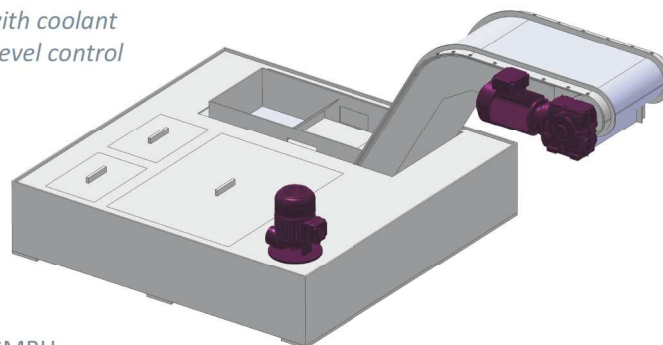


p.m. slide conveyor with funnel and separator drum for filtration of fluids



p.m. slide conveyor with funnel for filtration of fluids

p.m. slide conveyor with coolant container, pump and level control



HIEKE MAGNETTECHNIK GMBH
Aspastrasse 33 D- 59394 Nordkirchen Germany
Tel. +49 (2596) 920-50 Fax +49 (2596) 920-99
info@hieke-magnettechnik.de www.hieke-magnettechnik.de

hieke
MAGNETTECHNIK